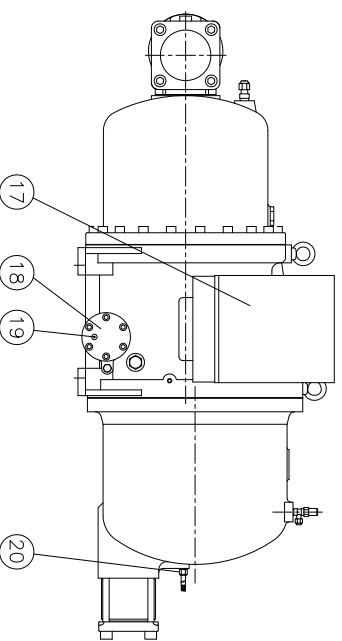
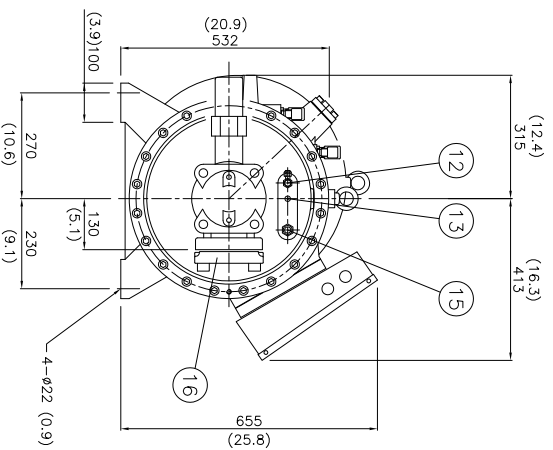
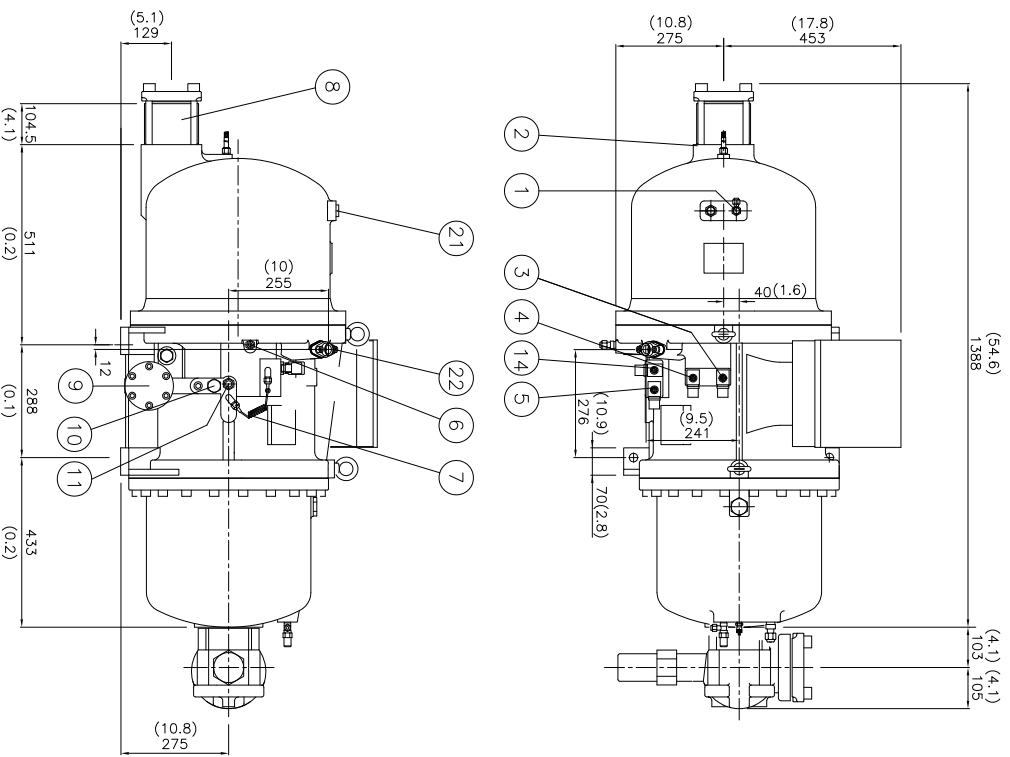


No.	Name	Note	No.	Name	Note
1	Angle valve	1/4"Flare	12	Angle valve	1/4"Flare
2	Discharge flange	3"	13	Refrigerant service valve	1/4"Flare
3	Solenoid valve	50%(NC)	14	Solenoid valve	Stepless(NC or NO), option
4	Solenoid valve	75%(NC)	15	NOT USED	
5	Solenoid valve	35%(NC)	16	Suction flange	5/8"Flare, option
6	Liquid/oil or refrigerant injection connector	3/8"Flare, option	17	Cable box	4"
7	Capillary		18	Service flange	Standard
8	Check valve	3"	19	Oil drain valve	option
9	Service flange		20	Discharge temp. sensor	110°C
10	Stop Pin		21	Safety Valve	1"NPT,option
11	Oil inlet Connector	5/8"Flare	22	Economizer port	7/8", solder

\*All stop valves are optional



Dimensional Outline Drawing & Component Description  
for Stepless or Modulating-Type Capacity Control Application

Hanbell Model RC2-410BF  
Date and Rev. 08/17/2012 A  
Drawn By M. Schreiber



Micro Control Systems, Inc.  
5580 Enterprise Parkway  
Fort Myers, Florida 33905  
Tel. (239) 694-0089 Fax (239) 694-0031  
E-mail: compressors@mescontrols.com

